

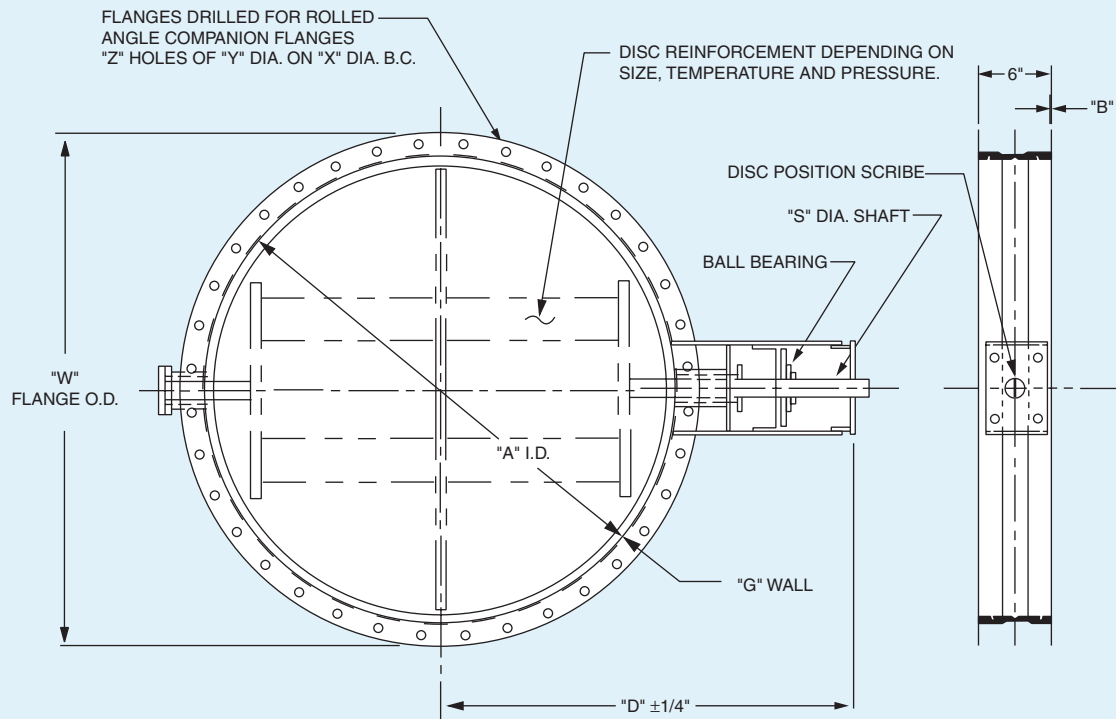
SHAN-ROD

fabricated butterfly valves and dampers

BULLETIN 2100

Shan-Rod
Fabricated
Medium Duty
Dampers
2100 Series





DUCT SIZE	DIMENSIONS IN INCHES								
	A	B	D	G	S	W	X	Y	Z
4	3 3/4	1/8	14 3/4	1/8	3/4	6 1/8	5 1/4	5/16	4
6	5 3/4	1/8	14 3/4	1/8	3/4	8 1/2	7 1/2	3/8	8
8	7 3/4	1/8	17	1/8	1	10 9/16	9 1/2	3/8	8
10	9 3/4	1/8	18 1/2	1/8	1	12 9/16	11 9/16	3/8	8
12	11 3/4	3/16	19 7/8	1/8	1	15 1/16	13 13/16	7/16	12
14	13 13/16	3/16	21 1/8	3/16	1	17 3/16	15 13/16	7/16	12
16	15 13/16	3/16	22 1/4	3/16	1	19 11/16	18 1/8	7/16	16
18	17 13/16	3/16	23 3/8	3/16	1	21 11/16	20 1/8	7/16	16
20	19 13/16	3/16	24 3/8	3/16	1 1/4	23 11/16	22 1/8	7/16	20
22	21 13/16	3/16	25 1/2	3/16	1 1/4	25 11/16	24 1/8	9/16	20
24	23 13/16	3/16	26 1/2	3/16	1 1/4	27 11/16	26 1/8	9/16	20
26	25 13/16	3/16	27 1/2	3/16	1 1/4	30 3/16	28 1/2	9/16	24
28	27 13/16	3/16	28 5/8	3/16	1 1/4	32 3/16	30 1/2	9/16	24
30	29 13/16	3/16	29 5/8	3/16	1 1/4	34 3/16	32 1/2	9/16	28
32	31 13/16	3/16	30 5/8	3/16	1 1/4	36 3/16	34 1/2	9/16	28
34	33 13/16	3/16	31 5/8	3/16	1 1/4	38 3/16	36 1/2	9/16	32
36	35 13/16	3/16	32 3/4	3/16	1 1/4	40 3/16	38 1/2	9/16	32
38	37 13/16	3/16	33 3/4	3/16	1 1/2	42 3/16	40 1/2	9/16	36
40	39 13/16	3/16	34 7/8	3/16	1 1/2	44 3/16	42 1/2	9/16	36
42	41 13/16	3/16	35 7/8	3/16	1 1/2	46 3/16	44 1/2	9/16	40
44	43 13/16	3/16	36 7/8	3/16	1 1/2	48 3/16	46 1/2	9/16	40
46	45 13/16	3/16	37 7/8	3/16	1 1/2	50 3/16	48 1/2	9/16	44
48	47 13/16	3/16	38 7/8	3/16	1 1/2	52 3/16	50 1/2	9/16	44

Larger Sizes and Special Face to Face – Consult Factory

CONSTRUCTION AND MATERIAL

The 2100 series is a standard damper furnished in sizes 4" to 48" for all medium duty services. Materials and specifications are shown below. If other dimensions or service conditions are required other than shown, contact the factory or your closest Shan-Rod representative.

Body, Disc & Flange	Standard – Carbon Steel Optional – 304
Drilling	Ductwork
Shaft	Standard – 304 S/S
Bushings	Carbon/Graphite
Packing Follower	Standard – 304 S/S
Stuffing Box Housing	Standard – Carbon Steel Optional – 304 S/S

OPERATING CONDITIONS

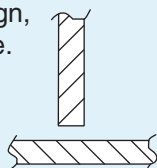
Maximum Temperature	Carbon Steel – 750°F 304 S/S – 1000°F
Maximum Static Pressure	20 PSIG. at Ambient
Maximum Pressure Drop	1 PSI. Std.

*Leakage based on max. flow

Standard Seat Designs

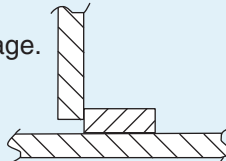
CONVENTIONAL

Swing-thru design,
*4 – 5% leakage.



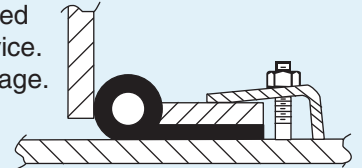
METAL SEAT

Materials same as
body – *1 - 2% leakage.



TADPOLE

Material furnished
varies with service.
*1/4 of 1% leakage.



As we are continually developing our products, the design of SHAN-DROD valves is subject to change without notice.